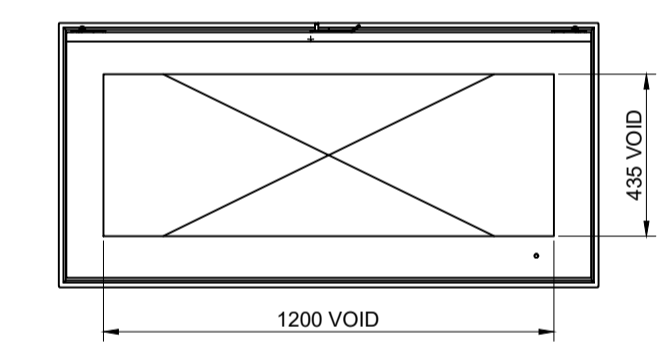
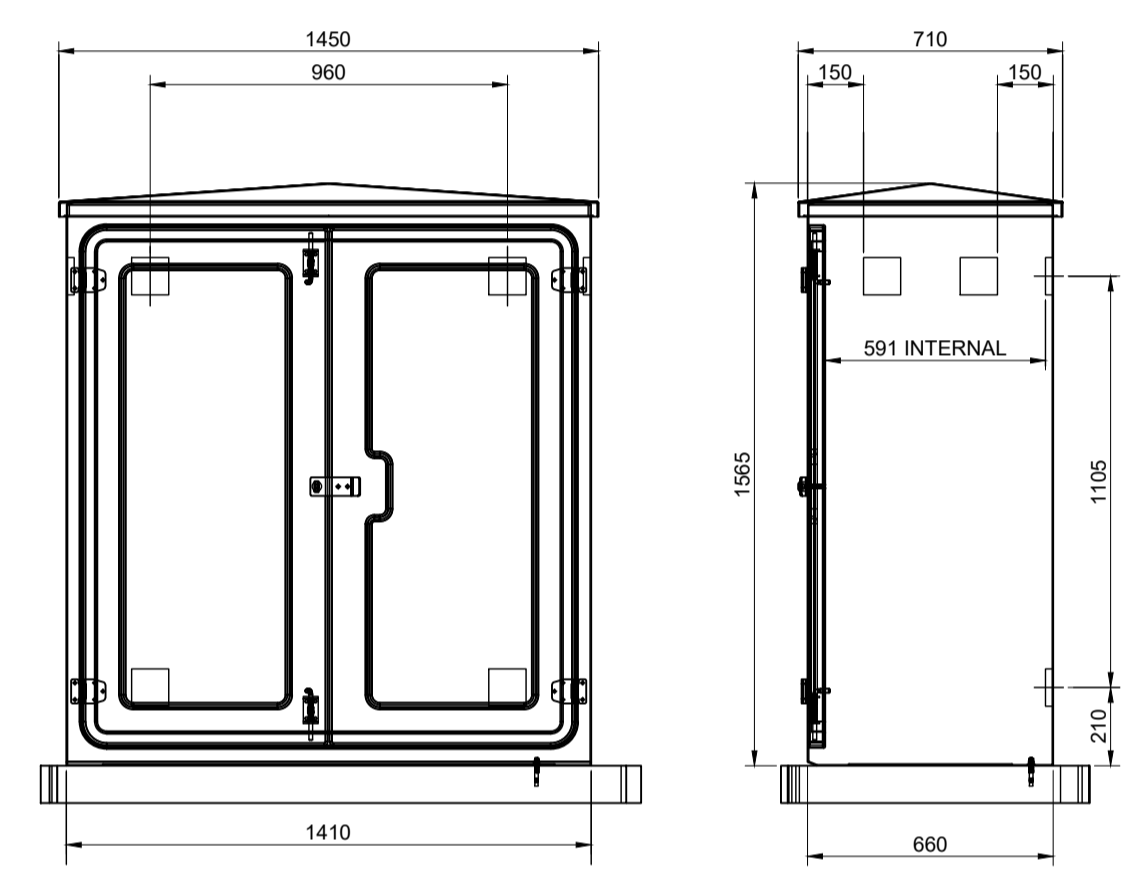
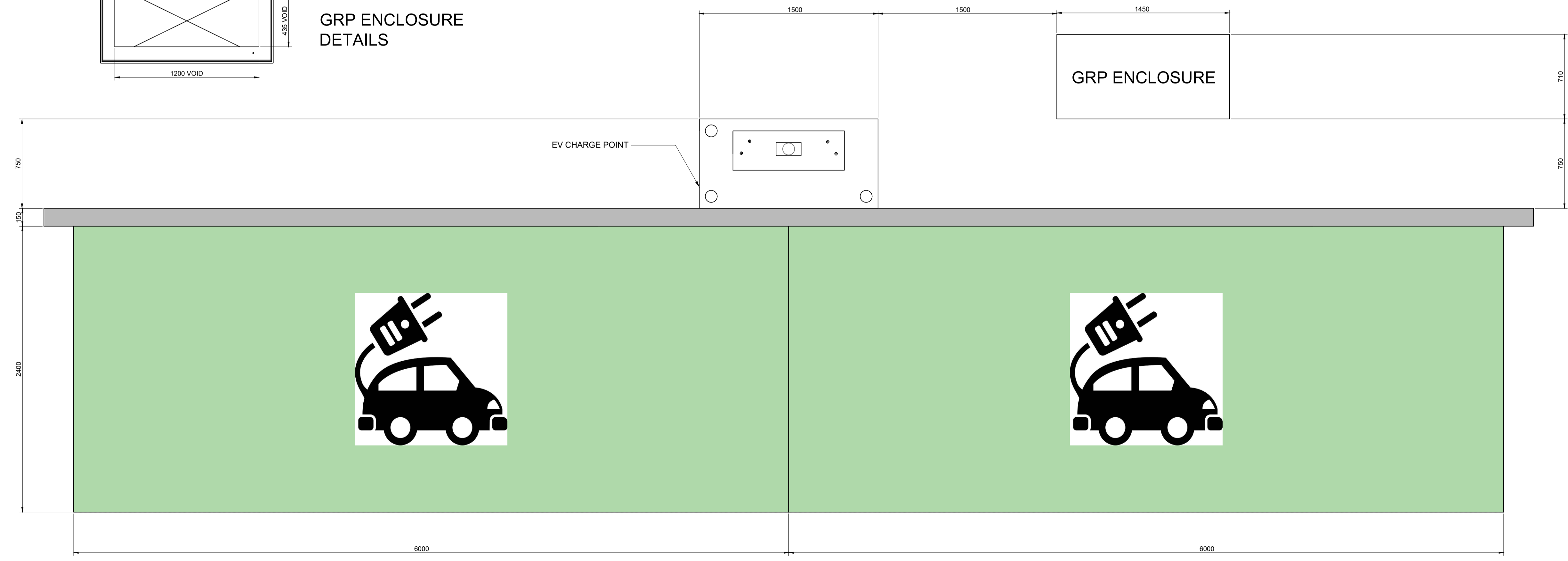
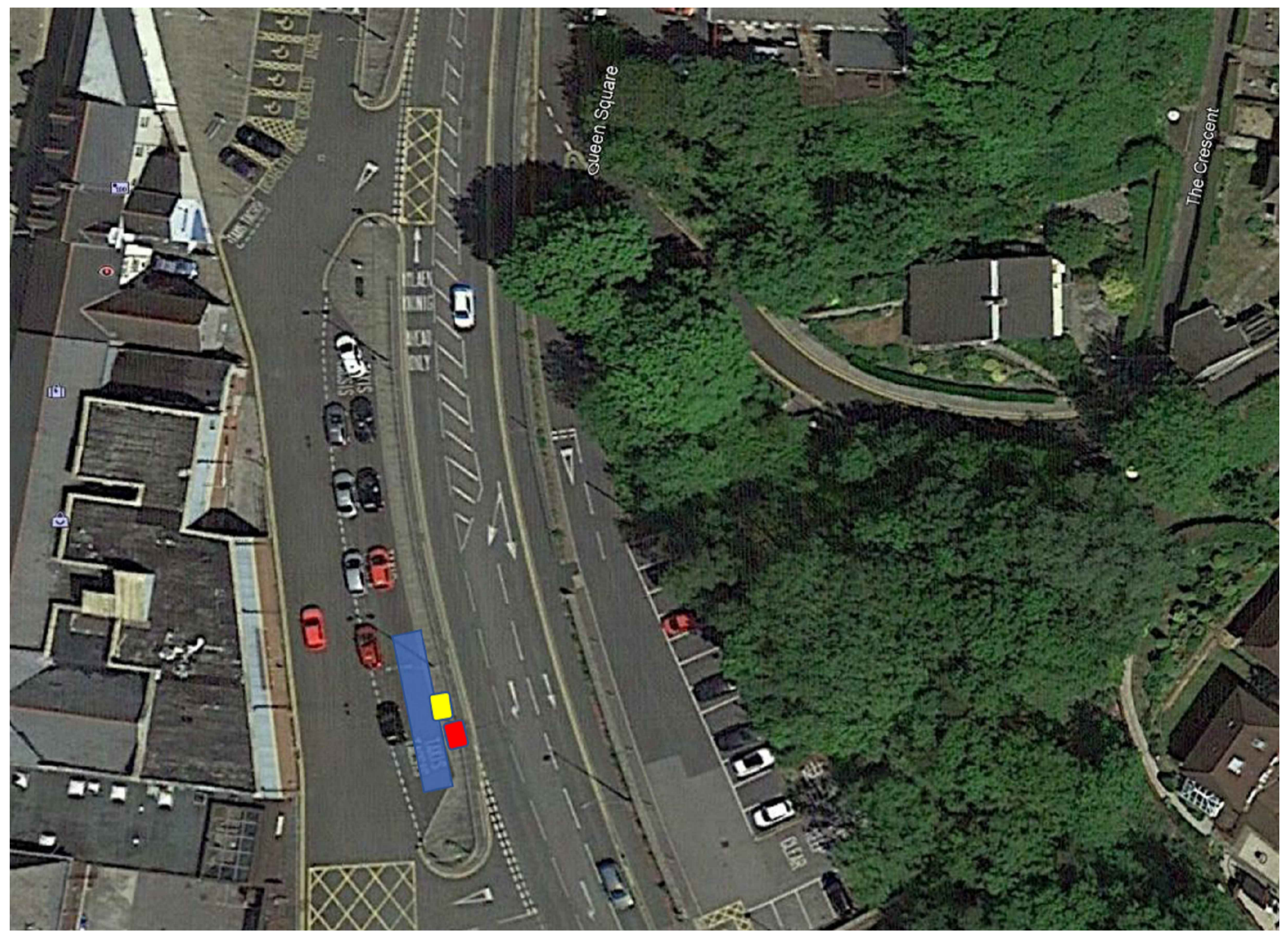


EV CHARGER DETAILS
SCALE 1:10



GRP ENCLOSURE
DETAILS



DATE	REV	DESCRIPTION	BY
------	-----	-------------	----

DO NOT SCALE
ALL DIMENSIONS ARE IN MILLIMETRES UNLESS OTHERWISE STATED

THIS DRAWING IS CONFIDENTIAL AND IS THE EXCLUSIVE PROPERTY OF T H WHITE INSTALLATION LTD NO UNAUTHORISED USE, COPY OR DISCLOSURE OF THIS DRAWING TO BE MADE AND IT IS TO BE RETURNED WHENEVER REQUESTED

T H WHITE

ENERGY, FIRE & SECURITY

**T H White Installation Ltd
Energy, Fire & Security**

Nursted Road, Devizes, SN10 3EA

Telephone: 01380 726656
Fax: 01380 725707

Email: alarms@thwhite.co.uk

STATUS	PRELIMINARY
--------	-------------

CLIENT	SOUTH WEST TAXI
--------	-----------------

PROJECT	SOUTH WEST TAXI EV CHARGER POINT PROJECT
---------	--

TITLE	EBBW VALE (NP23 6HL)
-------	----------------------

SCALE	DRAWN	CHECKED	DATE
1:20	M.O		07/04/2021

DRAWING No.	REV
1209012	A